

DIAMOND
**Surfacing &
Finishing Tools**
FOR OPTICS LABS

EHWA[®]



KORTEK

**2014
2015**
CATALOG



EHWA® has become an international benchmark for success because of our ability to adapt quickly to changing markets and diverse customer needs, EHWA® is leading the way in applying the most advanced technology for manufacturing industrial diamond tools.

Since 1975, EHWA® has been able to greatly expand its market share throughout the world by establishing world renowned reputation of high quality products, service and expertise in the industry. EHWA® is deeply committed to supplying customers with the most, up-to-date, competitive products and technical information. Our success is measured by the success of our customers.

The key to our flexibility and strength in the global marketplace is our many alliances with reliable overseas partners and customers throughout the world. EHWA® purchases only the highest quality raw materials, industrial diamond and CBN from reputable sources. In addition to having a robust supply chain with major suppliers, EHWA® has successfully teamed up with high-tech manufacturers in Europe, Japan, and U.S. under several joint-ventures for the research and development of high precision diamond tools, rotary dressers, and precision electroplated diamond tools.

The success of a company depends on its ability to adapt and compete in the global marketplace. EHWA® is able to thrive in the age of globalization due to our sustainable global strategy. EHWA® and our high- quality diamond tools are your partner for success!





CONTENTS

TOOLS OFFERED FOR
THE FOLLOWING MACHINE TYPES:

#1

COBURN® TECHNOLOGIES...5

#2

MEI® 6-8

#3

OPTRONICS..... 9-10

#4

SANTINELLI®11

#5

SATISLOH®12-14

#6

SCHNEIDER..... 15-16

#7

ORDER FORM..... 17

MEI® is a registered trademark of MEI S.r.l.
Optronics® is a registered trademark of National Optronics, Inc.
Santinelli® is a registered trademark of Santinelli, Int.
Satisloh® is a registered trademark of Satisloh AG
Schneider® is a registered trademark of Schneider GmbH & Co.KG

2014 - 2015

03

ADVANTAGES OF PCD - POLYCRYSTALLINE DIAMOND CUTTING TOOLS

Given Polycrystalline Diamond's (PCD) superior hardness to Carbide, cutting tool life is significantly increased over carbide cutting tools used in the same applications. The strengths of PCD are;

Superior Hardness

Excellent Wear Resistance

Good for High Speed Machining

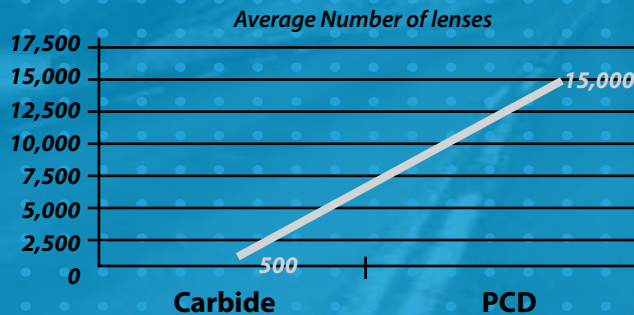
Superior Edge Strength

Good Thermal Conductivity

Less Built Up Edges

LOWEST COST PER LENS!

EXAMPLE OF EHWA® FINISHING TEST

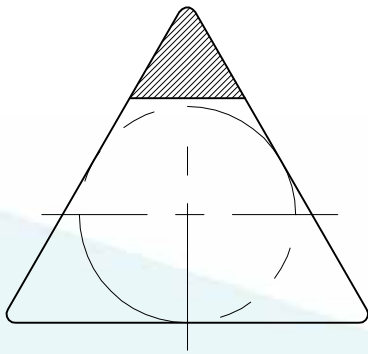


ADVANTAGES OF EHWA® AS YOUR CUTTING TOOL PARTNER

With multiple grades of substrates offered, many years of PCD cutting tool experience, and a large team of skilled engineers, EHWA is uniquely positioned to be your cutting tool solutions provider!

EXAMPLE OF EHWA® PCD SUBSTRATE GRADES USED FOR CUTTING TOOLS

Diamond Value	Grain Size	Type	Grit Size
80-90	0.5 μm	Wc Backed	Ultra Fine
90	4 μm	Wc Backed	Fine
90	10 μm	Wc Backed	Medium
90	25 μm	Wc Backed	Coarse
90	30 + 2 μm	Wc Backed	Multi Modal

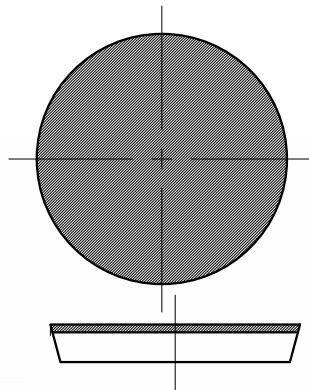


Machine Coburn® Tech.

Part Number GT-PCD-02-1001

Description PCD Insert

Manufacturer Part Number Call Us

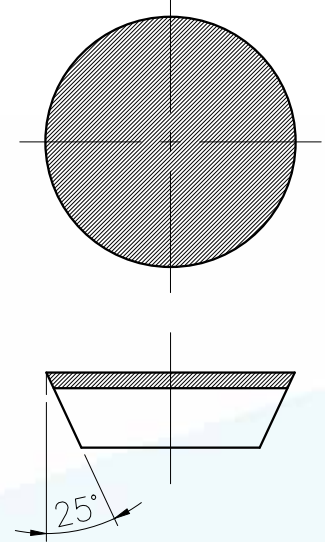


Machine Coburn® Tech.

Part Number GT-263962

Description PCD Cutter for DTL (16mm)

Manufacturer Part Number 263962



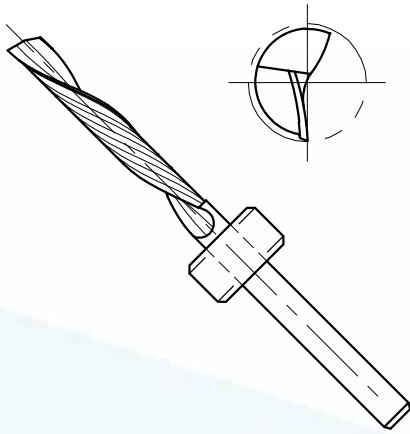
Machine Coburn® Tech.

Part Number GT- 1126200

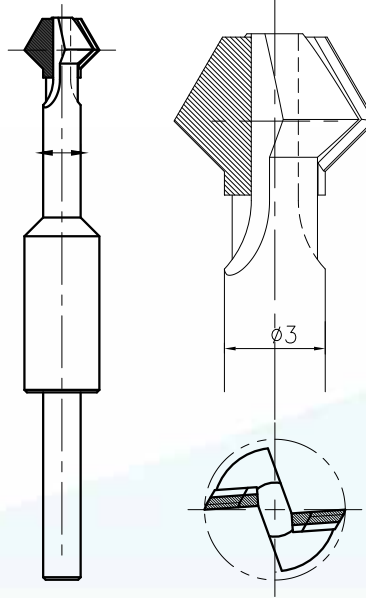
Description PCD Cutter for IQ CNC Lensmaker & IQ SC2 (8mm)

Manufacturer Part Number 1126200

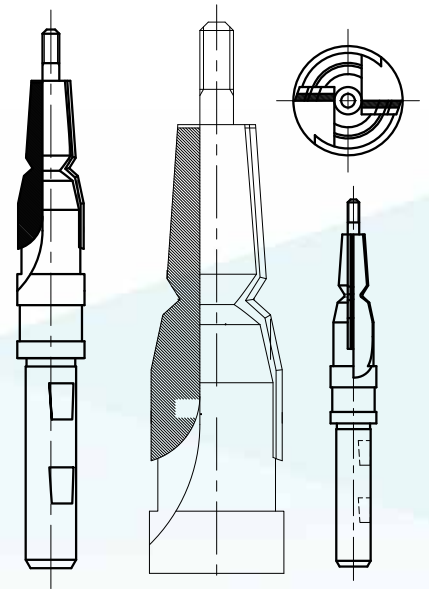
8MM INSERT



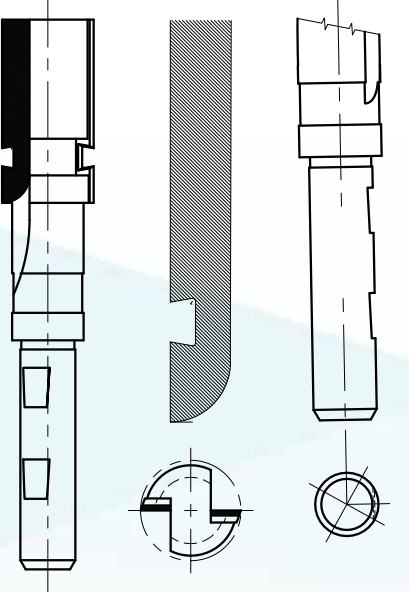
Machine	MEI®
Part Number	GT-F01015-MD-R-DX
Description	TC-EMX Roughing Tool 3mm Right
Manufacturer Part Number	F01015-MD-R-DX



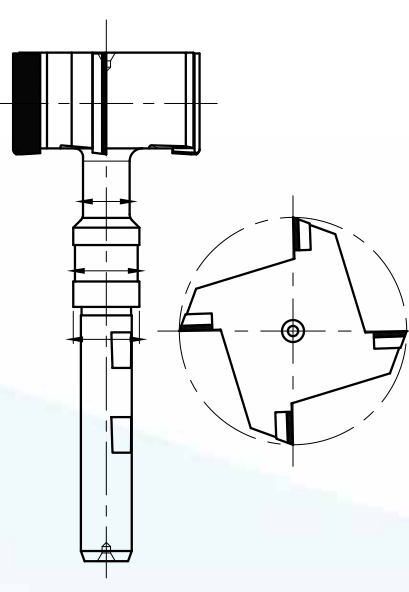
Machine	MEI®
Part Number	GT-F01041-MD-R-DX
Description	PCD-EMX Beveling Tool 45/60° Right
Manufacturer Part Number	F01041-MD-R-DX



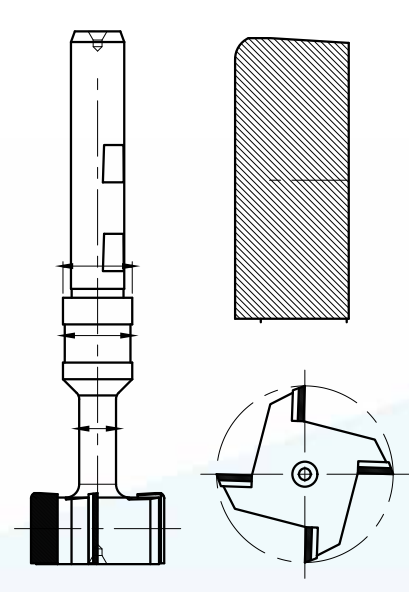
Machine	MEI®
Part Number	GT-F01072-PCD-DX
Description	PCD-EMX Right Shank
Manufacturer Part Number	F01072-PCD-DX



Machine	MEI®
Part Number	GT-F01058-PCD-DX
Description	PCD-EMX T-Bevel 10.2X1.25 Right
Manufacturer Part Number	F01058-PCD-DX

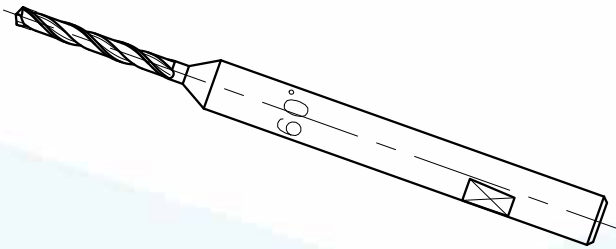


Machine	MEI®
Part Number	GT-F01013-PCD-DX
Description	PCD-EMX Step Back Tool 22X10mm Right
Manufacturer Part Number	F01013-PCD-DX

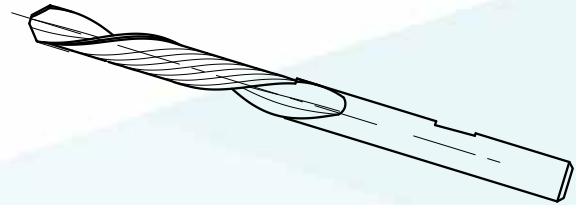


Machine	MEI®
Part Number	GT-F01034-SX
Description	PCD-EMX Step Back Tool 15X8mm Left
Manufacturer Part Number	F01034-SX

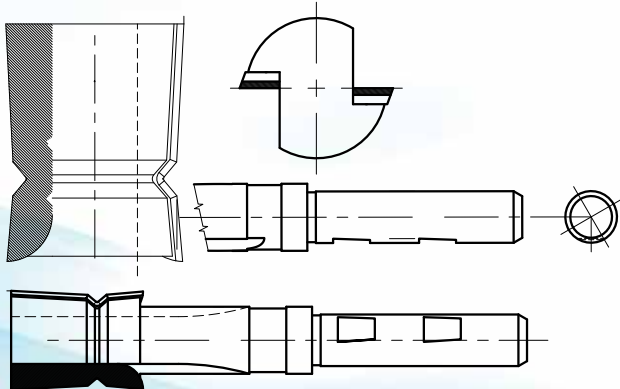
Machine	MEI®
Part Number	GT-F01007-MD-DX
Description	TC-DRS1 1.0 mm Carbide
Manufacturer Part Number	F01007-MD-DX



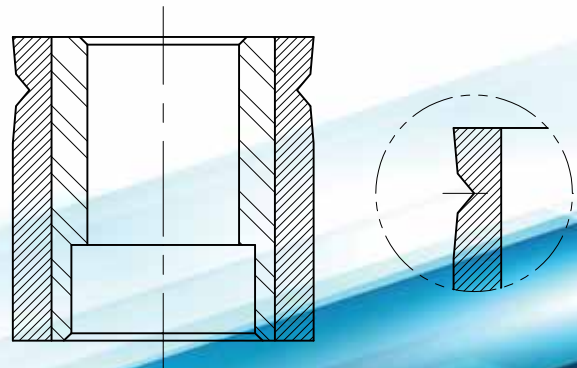
Machine	MEI®
Part Number	GT-F01062-MD-R-DX
Description	TC-EMF1 Roughing Tool 4 mm + Safety Bevel
Manufacturer Part Number	F01062-MD-R-DX



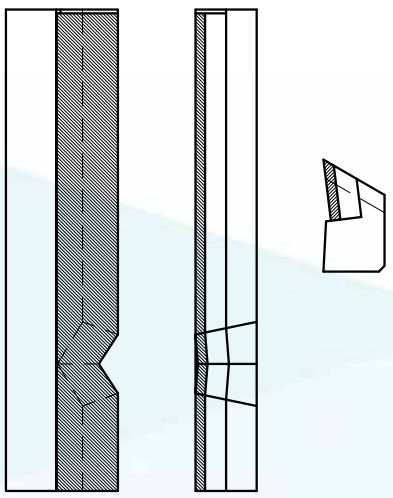
Machine	MEI®
Part Number	GT-F01071-PCD-DX
Description	PCD-EMX Straight Bevel Tool 100° Right
Manufacturer Part Number	F01071-PCD-DX



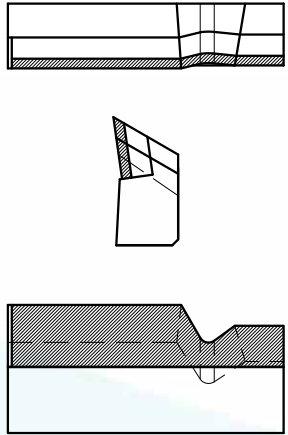
Machine	MEI®
Part Number	GT-F01060-DX-GR3
Description	MD-1EE6Y Grinding Wheel Rimless/Bevel GR3 (Polish Wheel)
Manufacturer Part Number	F01060-DX-GR3



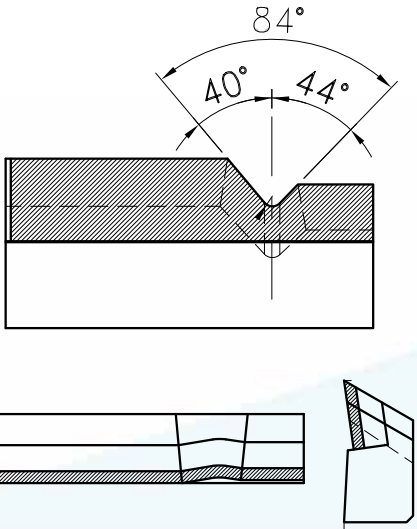
* (All cutters are available
in either right or left hand)



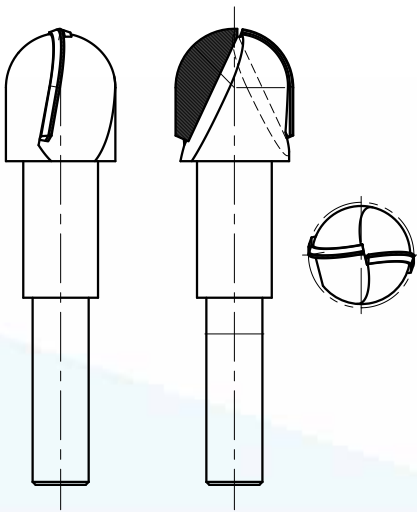
Machine	Optronics
Part Number	GT-PCD-04-1001
Description	PCD-TSX (114° - 6.65 C/L)
Manufacturer Part Number	Call Us



Machine	Optronics
Part Number	GT-93342
Description	PCD-TSX (Hi Wrap 1 30/54°) Satisloh # 92-008-00
Manufacturer Part Number	93342



Machine	Optronics
Part Number	GT-93344
Description	PCD-TSX (Hi Wrap 2 40/44°) Satisloh # 92-007-893
Manufacturer Part Number	93344

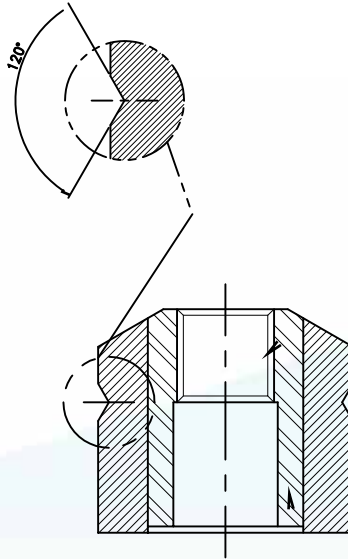


Machine Optronics

Part Number GT-93761

Description PCD-EMX
Polycrystalline Diamond
Cutter (Two Flute Cutter)

Manufacturer 93761
Part Number

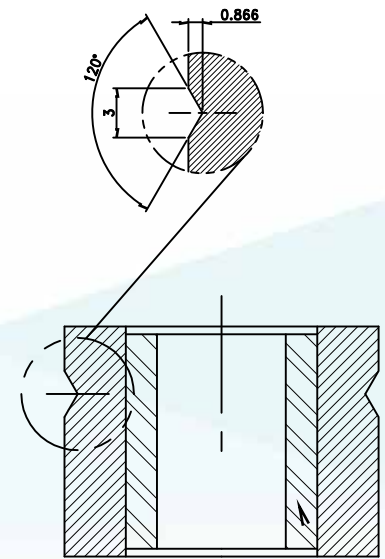


Machine Optronics

Part Number GT-MD-04-1011

Description MD-1EE6Y
(Polish Wheel Taper)
20.5 mm Diameter

Manufacturer Call Us
Part Number



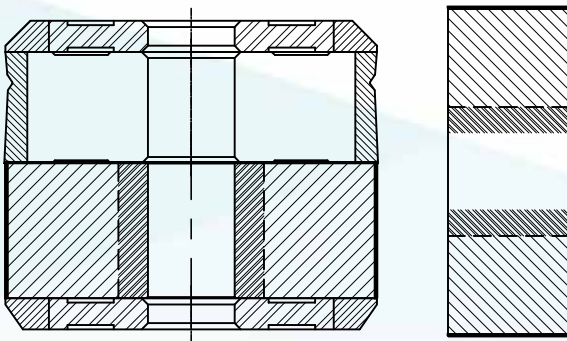
Machine Optronics

Part Number GT-MD-04-1012

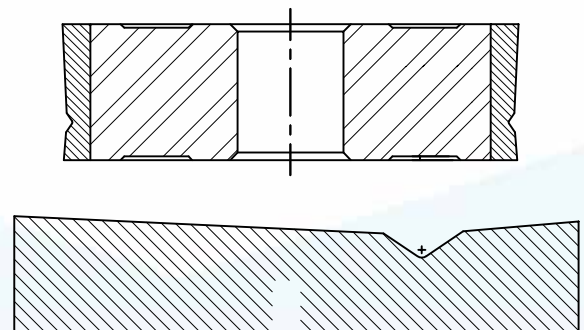
Description MD-1EE6Y
(Polish Wheel Bevel)
20.5 mm Diameter

Manufacturer Call Us
Part Number

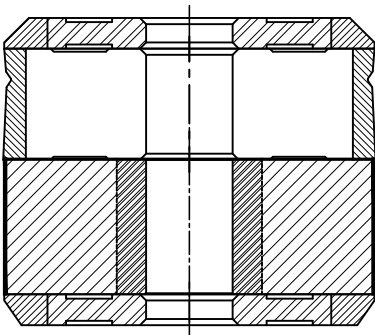
Machine Santinelli®
 Part Number GT-40291-M007
 Description BSL-460375-1
 RS Rougher 60 grit (Right)
 Manufacturer Part Number 40291-M007



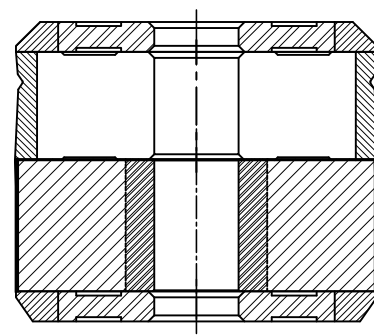
Machine Santinelli®
 Part Number GT-40291-M002
 GT-40291-M004
 Description MD-1EE6Y LS/RS
 MD-1EE6Y LS 112° Straight D400
 MD-1EE6Y RS 112° Straight D4000
 Manufacturer Part Number 40291-M002 (Left)
 40291-M004 (Right)

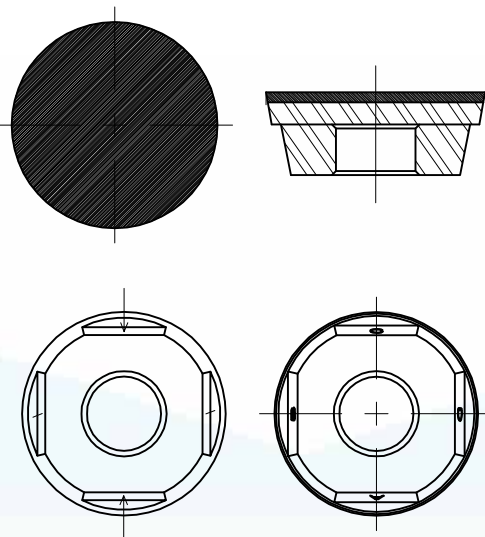


Machine Santinelli®
 Part Number GT-40291-M031
 GT-40291-M032
 Description MD-1EE6Y 35° Bevel
 RS D400 / LS D3000
 Manufacturer Part Number 40291-M031 (Right)
 40291-M032 (Left)



Machine Santinelli®
 Part Number GT-40291-M003
 GT-40291-M005
 Description MD-1EE6Y 45° Bevel
 RS D400 / LS D3000
 Manufacturer Part Number 40291-M003 (Right)
 40291-M005 (Left)



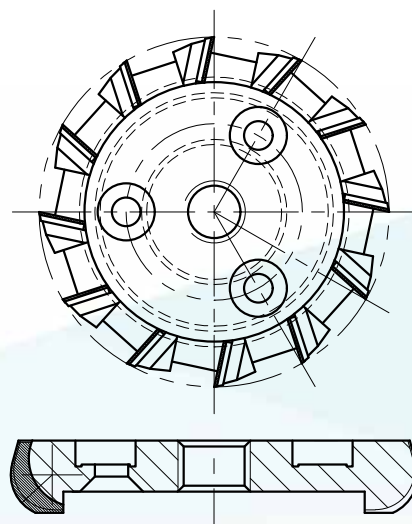


Machine Satisloh® V-Pro

Part Number GT-92-000-929

Description PCD-Insert 11mm
(PCD cutter bits 11 mm)

Manufacturer Part Number 92-000-929

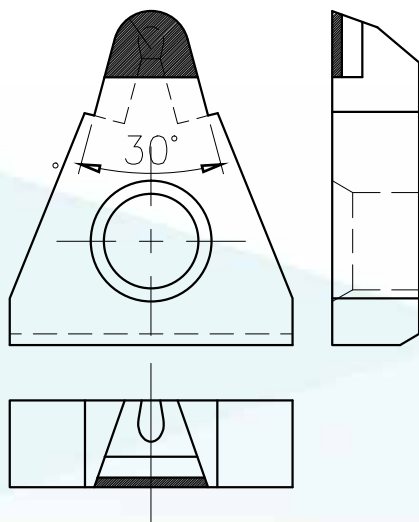


Machine Satisloh® VFT

Part Number GT-92-009-118

Description PCD-CTX 12 Tooth Cutter
Head (12 blade PCD disc)

Manufacturer Part Number 92-009-118

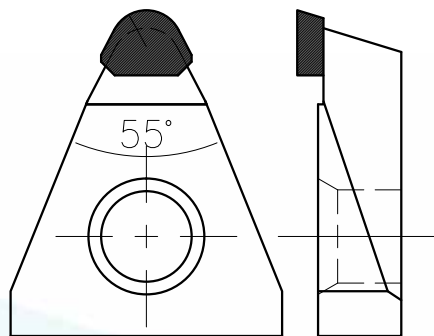


Machine Satisloh® VFT

Part Number GT-92-007-611

Description PCD-GX
(Turning tip PCD R 2 mm)

Manufacturer Part Number 92-007-611

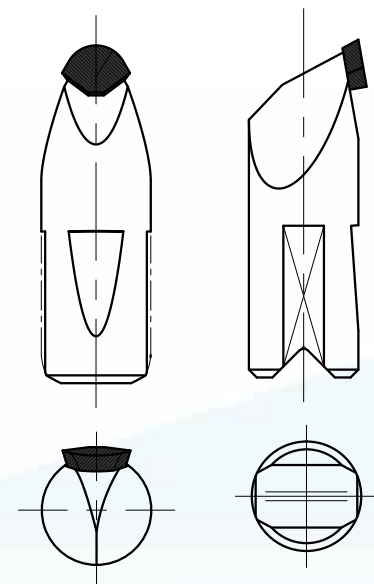


Machine Satisloh® VFT

Part Number GT-92-007-626

Description Monocrystalline Insert
(Turning tip MCD R 2 mm)

Manufacturer Part Number 92-007-626

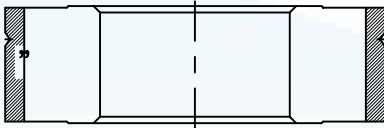
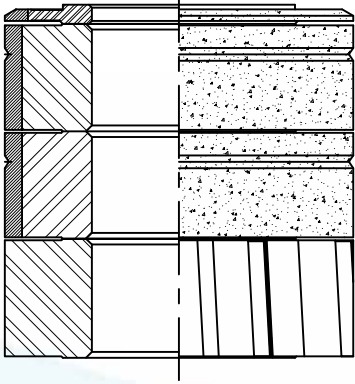


Machine Satisloh®

Part Number GT-PCD-06-3012

Description Monocrystalline Insert

Manufacturer Part Number Call Us

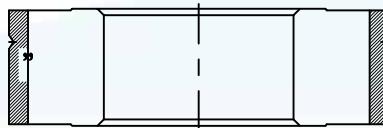
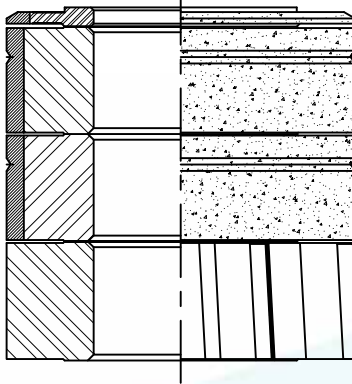


Machine Satisfloh® ES

Part Number GT-MD-06-1017

Description MD-1EE6Y
(60D - 18T - 1.5X - 30H
112° V - Groove D400)

Manufacturer Part Number Call Us

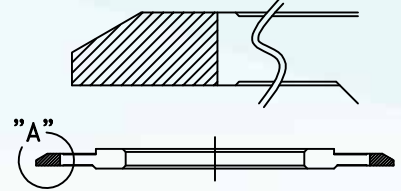
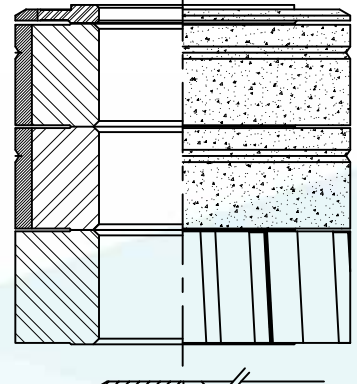


Machine Satisfloh® ES

Part Number GT-MD-06-1018

Description MD-1EE6Y
(60D - 18T - 1.5X - 30H
112° V - Groove D2400)

Manufacturer Part Number Call Us



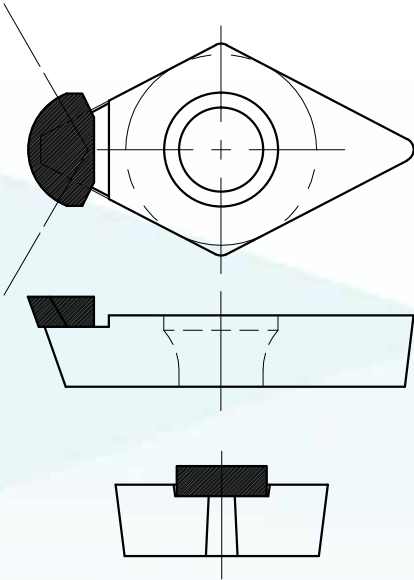
Machine Satisfloh® ES

Part Number GT-92-005-736
Pin Bevel

Description MD-1EE6Y
60D - 3.3T - 30H
30° Bevel

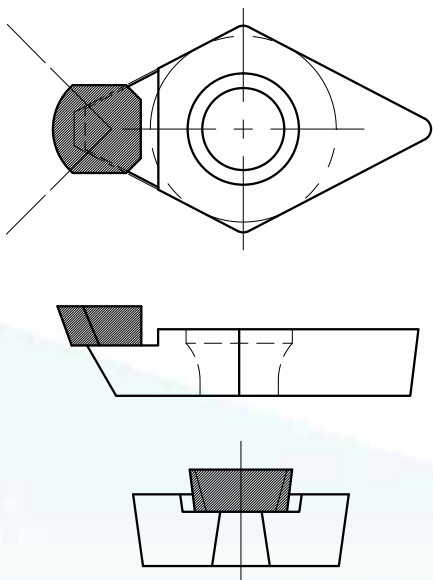
Manufacturer Part Number 92-005-736 Pin Bevel

120° Insert

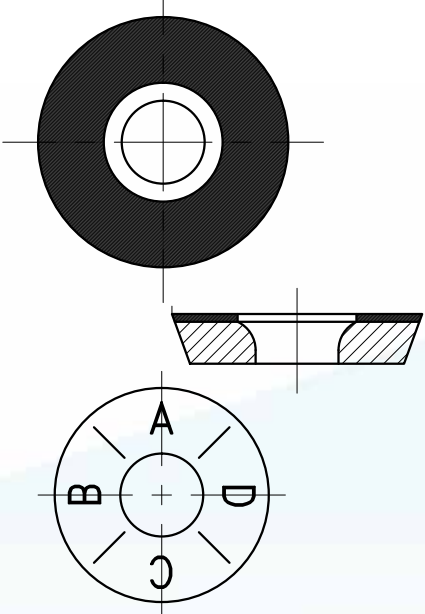


Machine	Schneider
Part Number	GT-DB-07-2003
Description	120° Included Angle Monocrystalline Insert
Manufacturer Part Number	Call Us

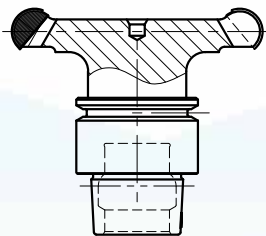
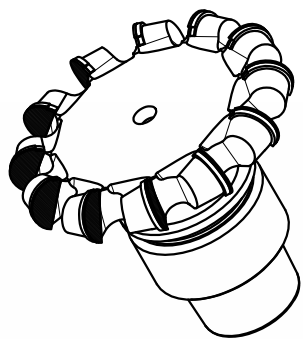
90° Insert



Machine	Schneider
Part Number	GT-DB-07-2004
Description	90° Included Angle Monocrystalline Insert
Manufacturer Part Number	Call Us



Machine	Schneider
Part Number	GT-DB-07-2005 Insert 16 mm Round
Description	PCD 16 mm Insert
Manufacturer Part Number	Call Us

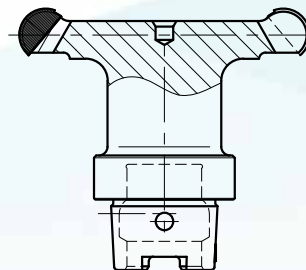
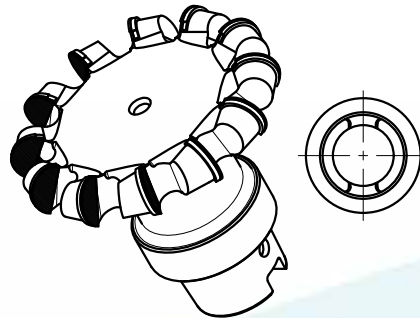


Machine Schneider

Part Number GT-PCD-07-1001

Description PCD-CTX HSC-32E
12 Tooth Roughing Cutter

Manufacturer Part Number Call Us



Machine Schneider

Part Number GT-PCD-07-1002

Description PCD-CTX HSC-32C
12 Tooth Roughing Cutter

Manufacturer Part Number Call Us

16

CUSTOMER TOOL ORDER FORM

FAX- (949) 250 0409 PHONE- (877) 266 - 2322

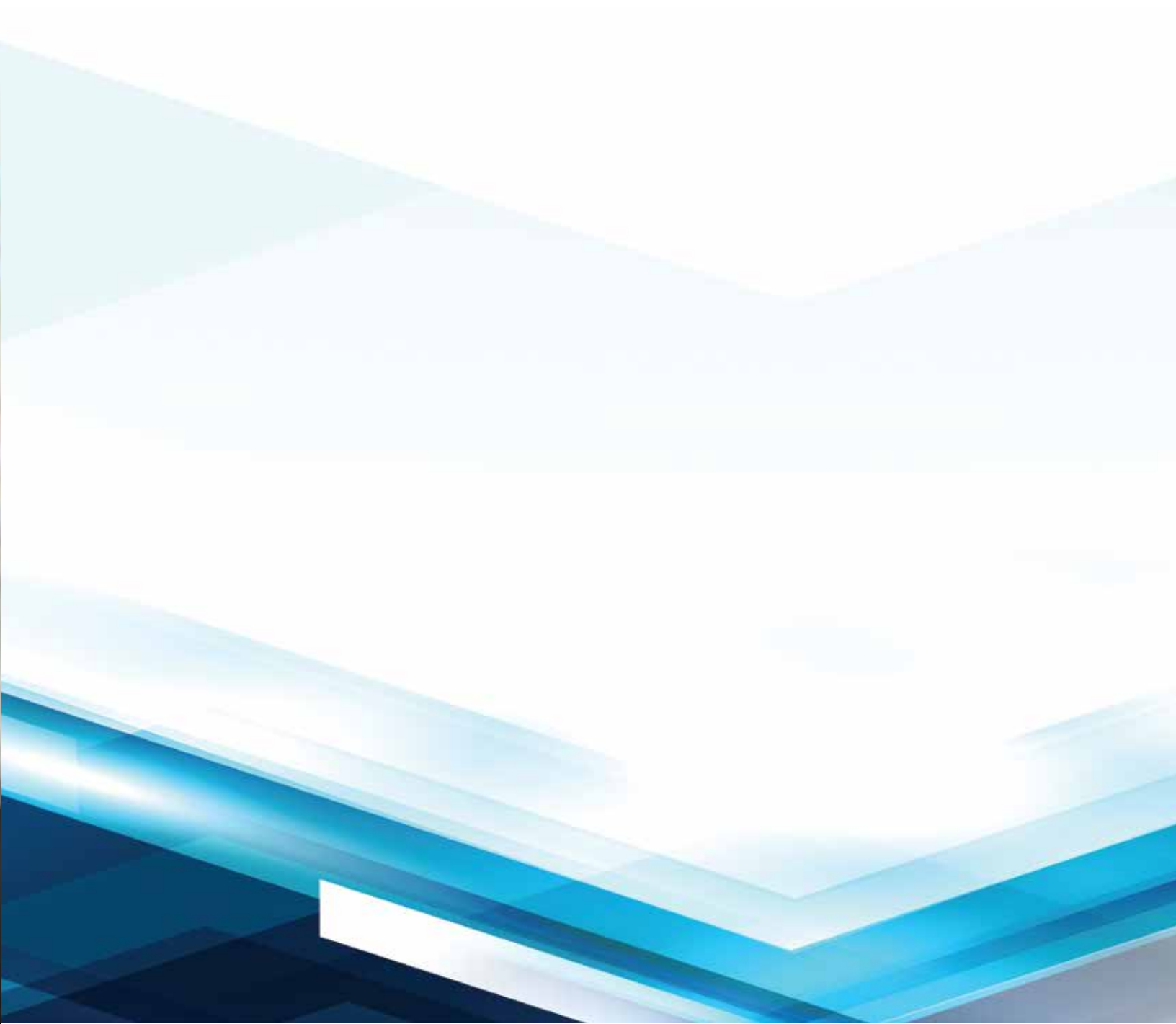
EMAIL- SALES@GTDIAMOND.COM

Contact Name	
E-mail Address	

Company Name	
Address	
City	
State, Zip	

Operation	<input type="checkbox"/> Surfacing	<input type="checkbox"/> Finishing
Machine Model		
Part Number		

Special Designs Available upon Request



DISTRIBUTED BY:

KORTEK

KORTEK Endüstriyel Ürünler Dış. Tic. A.Ş.
İMES A109/1A 34775 Y. Dudullu Ümraniye İstanbul Türkiye
Tel: +90 216 540 1234 Fax: +90 216 364 5445
www.kortek.eu info@kortek.eu

EHWA[®]

©2014 EHWA ALL RIGHTS RESERVED